



Picture may vary from actual product

Arena.Gate

Enhanced security with Full-height turnstiles. The new gate for stadiums and all types of recreational facilities provides optimum protection against unauthorized access.

Play It Safe – with SKIDATA

- Easy and convenient access for authorized guests.
- Optimal protection against unauthorized access and vandalism.
- Free exit for fleeing guests in an emergency.

Your personal Arena.Gate

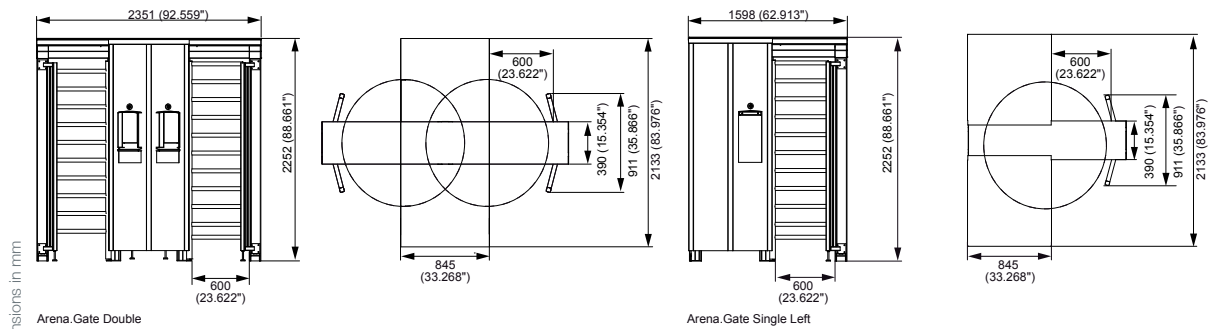
- Arena.Gate is also available in your corporate colors. Because access is your company's calling card.
- Use the display as an advertising platform: Launch partnerships and inform your guests about current offerings.

Invest in your future

- Long service life with high-quality materials and perfectly matched components.
- Standard service activities can be carried out quickly and efficiently.
- Arena.Gate is ideally equipped for future technologies.

One scanning point for every ticket

- Make it easy for your guests: All tickets are scanned at the same point.
- Arena.Gate reads RFID, Print@Home and barcode tickets. It distinguishes reliably between active and blocked access permissions.



all dimensions in mm

Cooperation Gotschlich GmbH - SKIDATA AG

Properties

- Motorized, servo-supported and electronically controlled Full-height double or single turnstile
- Fast, easy start-up, thanks to central, lockable electronic unit
- Very easy to connect to network; unit provides installation space for a managed switch
- Optional retraction mechanism for Vario.Gate, complete with lockable front panel for prevention of unauthorized access and optimum protection against damage while powered off
- Extra security and reduced ticket misuse, thanks to optional lockable Safebox for the operator
- Turnstile can be released via software or fire control station, or by push-button (comes with Safebox)
- Full logging of gate passage transactions
- Optimized user guidance via QVGA color display and monophonic acoustic signal generator

Standard Version

Arena.Gate Double / Single Zinc Coated

- Motorized, servo-supported and electronically controlled portal-based Full-height turnstile, 90°-partition, with lockable electronic control box
- Arena.Gate Installation Kit Double / Single installation material for Arena.Gate Double / Single, partly preinstalled

Vario.Gate

- 1D/2D barcode reader optimized for Print@Home tickets, 13.56 MHz RFID module (ISO15693 & ISO14443)
- Vario.Gate/FRMO/PWR240 power supply, designed for all ticket reader components Arena.Gate Double / Single

Options

- Arena.Gate Reader Protection Double / Single, optional retraction mechanism with lockable front for protecting ticket readers against unauthorized access.
- Arena.Gate Safebox Double / Single, lockable security box, includes push-buttons and key switches for manual release, emergency release buttons and support of operator lights and displays
- Arena.Gate Safebox Kit Double / Single installation material for Arena.Gate Safebox, complete with Operator display, LED lights (preinstalled)
- Arena.Gate Heating (optional heater unit)
- Arena.Gate Double / Single V2A (premium steel)
- Arena.Gate Double / Single V4A (premium steel)
- Arena.Gate Custom Colour
- Arena.Gate Foundation Kit Double / Single
- Vario.Gate/FRMO/Sound module
- Vario.Gate Customization Casing-Color
- Vario.Gate Customization Front-Color
- Vario.Gate left side SKIDATA logo removal

Technical Specifications

Dimensions	Full-height turnstile double*: 2351 mm x 2252 mm x 2133 mm / 92.56" x 88.66" x 83.98" (W x H x D) with Vario.Gate installed Full-height turnstile single*: 1598 mm x 2252 mm x 2133 mm / 62.91" x 88.66" x 83.98" (W x H x D) with Vario.Gate installed
Weight	Full-height turnstile double*: max. 550 kg, Full-height turnstile single*: max. 420 kg (incl. Vario.Gate)
Power supply	Full-height turnstile*: 230 V ~ 50-60 Hz, Vario.Gate +24 V DC
Operating voltage	Full-height turnstile*: max. 200 VA; Vario.Gate: max. 100 W, typical 1 to 1.2 A
Temperature range	Vario.Gate Operation: -30 °C to +50 °C (-22 °F to +122 °F) Vario.Gate Storage: -30 °C to +70 °C (-22 °F to +158 °F) Full-height turnstile* Operation: -20 °C to +50 °C (-4 °F to +122 °F), with optional heater unit -30 °C to +50 °C (-22 °F to +122 °F) Full-height turnstile* Storage: -40 °C to +70 °C (-40 °F to +158 °F)
Housing standard version	Vario.Gate: high performance plastic RAL 9007, black laminated safety glass Full-height turnstile*: Standard Version: zinc coated steel ST 360, chromium-nickel steel (V2A) material 1.4301, Bridge Cover powder coated aluminum RAL 9006
Declarations / Certifications	Vario.Gate: CE, FCC, IC, RoHS, $c\text{RU}_{US}$ Full-height turnstile*: CE, IC, RoHS
IP Code	Full-height turnstile*: housing IP 43, live powered components IP 44
Throughput	Typically 750 persons per hour per gate (with Vario.Gate), depending on the access behavior of visitors
System Requirements	Handshake.Logic Version 4.1
	* Gotschlich ECCO Arena.Gate