



Picture may vary from actual product

Flex.Gate 'Refit' Events



Flexible like a chameleon.

Upgrade your existing system modularly and bring your people access up to the cutting edge of technology, while continuing to use your existing hardware. Behind the new Flex.Gate hides a modular, upgradable system for your people access. It is easy to adapt to your needs and ready for all new ticket generations.

Easy and quick upgrades

Keep the existing base hardware and mechanical components and upgrade your access readers with just the necessary individual components. In this way you bring your existing system up to the cutting edge of technology quickly and easily while enjoying cost advantages.

Ready for the future

Even today, be ready for modern and forward-looking ticket generations, such as NFC, Mobile-Ticketing, Print@Home, and more. Optionally, the display can be configured as a touch screen to allow for customer input.

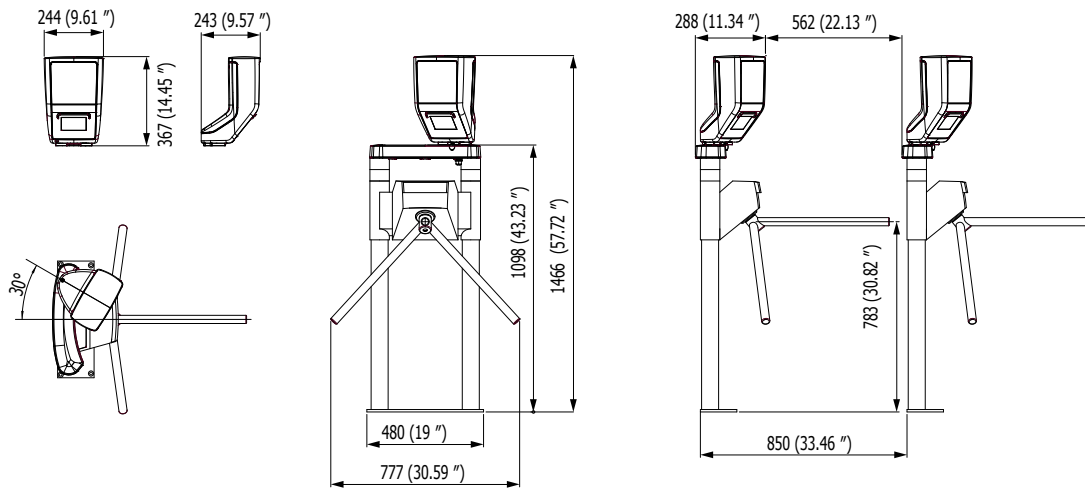
Modular functional expansion

Create your access readers tailored to your needs. A variety of functions can be modularly integrated. The Flex.Gate regulates the safe access in stadiums, as well as in amusement parks, trade fairs and mountain destinations.

Customer comfort meets design

Design your readers in your corporate colors and emphasize them right at the entrance. Your customers enjoy maximum access convenience thanks to the ergonomic design.

all dimensions in mm



Features

- One device with built-in ease of use for all People Access applications, from stadia to leisure parks or winter resorts
- Ideal for simple, cost-efficient upgrading of existing SKIDATA readers with the latest technology
- Single point of reading – all ticket types are read at the same scanning point
- Barrier-free access to the scanning area – unrestricted use of wristbands and mobile devices
- Support of various RFID-based and barcoded data carriers
- High-resolution display for showing graphics and videos – ideal for advertising and many other applications
- Fully integrated into the SKIDATA software environments

Options

- Barcode module, optimized for reading 1D and 2D barcodes on mobile devices
- RFID module for short-range applications based on SKIDATA ISO 15693, NFC and ISO 14443 Scripting
- Overhead light signal for additional operator information
- Built-in camera
- Adapter for direction recognition for bidirectional operation
- SD memory card for offline operation
- Supports control of non-SKIDATA turnstiles
- Panic mechanism
- Weather protection cover

Standard Version

- Durable aluminum casing – suitable also for outdoor use without extra weather protection
- High-resolution display with built-in brightness control
- Powerful acoustic signal generator

Technical Specifications

User Box dimensions	244 mm × 367 mm × 243 mm (9,6" × 14,5" × 9,6")(W × H × D)
User Box weight	approx. 7 kg (15,5 lbs)
Power consumption	max. 400 Watts, typically 150 Watts
Temperature	Operation: -30 °C to + 50°C (-22 °F to +122 °F) Storage: -40 °C to + 70°C (-40 °F to +158 °F)
Casing	Durable die-cast aluminum, RAL 7042 (Traffic Gray)
Supported data carriers	Short-Range option: SKIDATA ISO 15693, NFC, ISO 14443 Scripting Barcode option: 1D barcode: Interleaved 2 of 5, EAN 8/13, Code 39/128; 2D barcode: DataMatrix, PDF 417, QR
Declarations / certifications	CE, FCC
Degree of protection	IP54
Throughput (applies to actual use)	approx. 1200 persons per hour
System requirements	Handshake.Logic version V9.0 or higher