



## Vario.Gate 'Touch-Pad'

Support for your staff at access points -  
Surveillance and control all in one.

### Keep an overview

- **Best informed** Access information in real time on the touch-pad display provides full support for optimal customer service: identify VIP guests, display additional information, etc.
- **Record guest categories** User-defined keypad allocation, e.g., for recording and evaluating special guest categories.

### See, know, take effective action

- **Monitor and control** With the modern color touch display, your touch-pad becomes a surveillance and control center. Depending on user rights, you can monitor what is going on in passive mode or react in active mode: block turnstiles, release, change turnstile direction, etc.

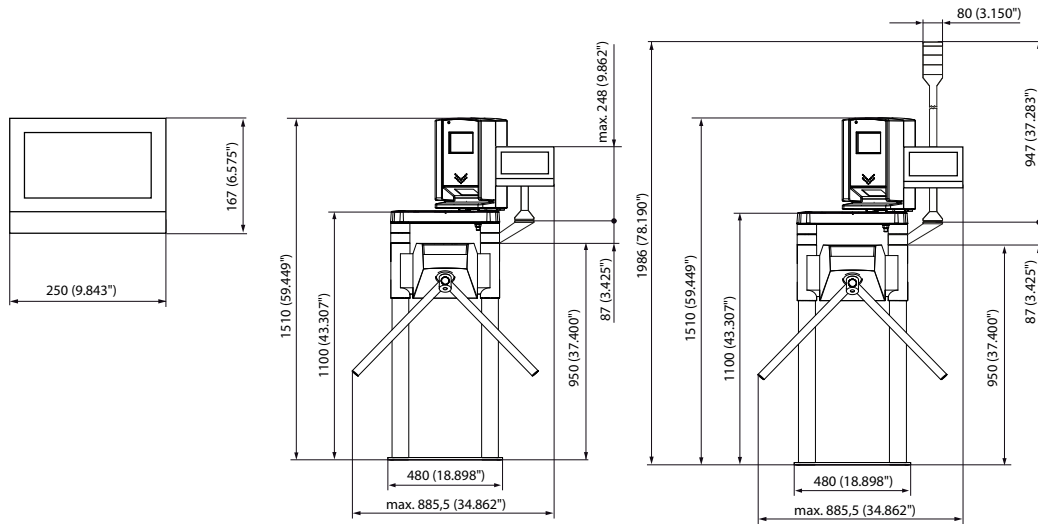
### Increased security at access points

- **Strong protection against ticket fraud** Play it safe – show a reference photo on the display and reduce ticket fraud.
- **Authorization required** One thing is certain with the touch-pad: only authorized personnel can take control as necessary.

### More control

- **Take over control spontaneously** Correct decisions of individual access controls quickly and effectively with your touch-pad's control function: tickets with blurry print, re-entry after exit, override biometric decisions, input ticket numbers and much more.

all dimensions in mm



## Features

- Touch-pad optimized for outdoor use
- Graphical user interface with touch technology
- Vandalism-protected placement of wiring inside device enclosure
- Adjustable viewing angle (horizontal and vertical) ensures optimum readability
- Optional installation on support post of operator light or on separate support post
- Direct access controls eliminate need for control PCBs
- Different key layouts for an easy and fast overview and operation
- Display of ID photos helps reduce unauthorized transfer of tickets
- Plain text display of ticket categories helps reduce ticket misuse
- Damaged tickets can be verified easily and quickly right at the gate
- Operator login and input logging provide additional system security

## Standard Version

- 7" color touch screen with casing
- Spray water protected design
- Rotatable, swivel-mounted installation bracket
- Includes software license

## Options

- Weather protection cover with Velcro® fastener
- Mounting arm for installation of touch-pad without operator light
- Mounting post for installation of touch-pad and operator light on one device

## Technical Specifications

<b>Dimensions</b>	250 mm x 167 mm x 50 mm (w x h x d) without mounting bracket
<b>Weight</b>	approx. 2.5 kg
<b>Power supply</b>	24 V DC (internal supply via Vario.Gate)
<b>Power consumption</b>	8.5 W max.
<b>Temperature range</b>	Operation: -25 °C to +60 °C Storage: -25 °C to +80 °C
<b>Casing color</b>	RAL 9004 (front), RAL 7035 (sides and rear)
<b>Display</b>	7" WVGA TFT display with 262K colors
<b>Touch technology</b>	Resistive, type 4 wire
<b>Guidelines / Certifications</b>	CE, FCC
<b>System Requirements</b>	Handshake.Logic V6.01